



# DS-673SS

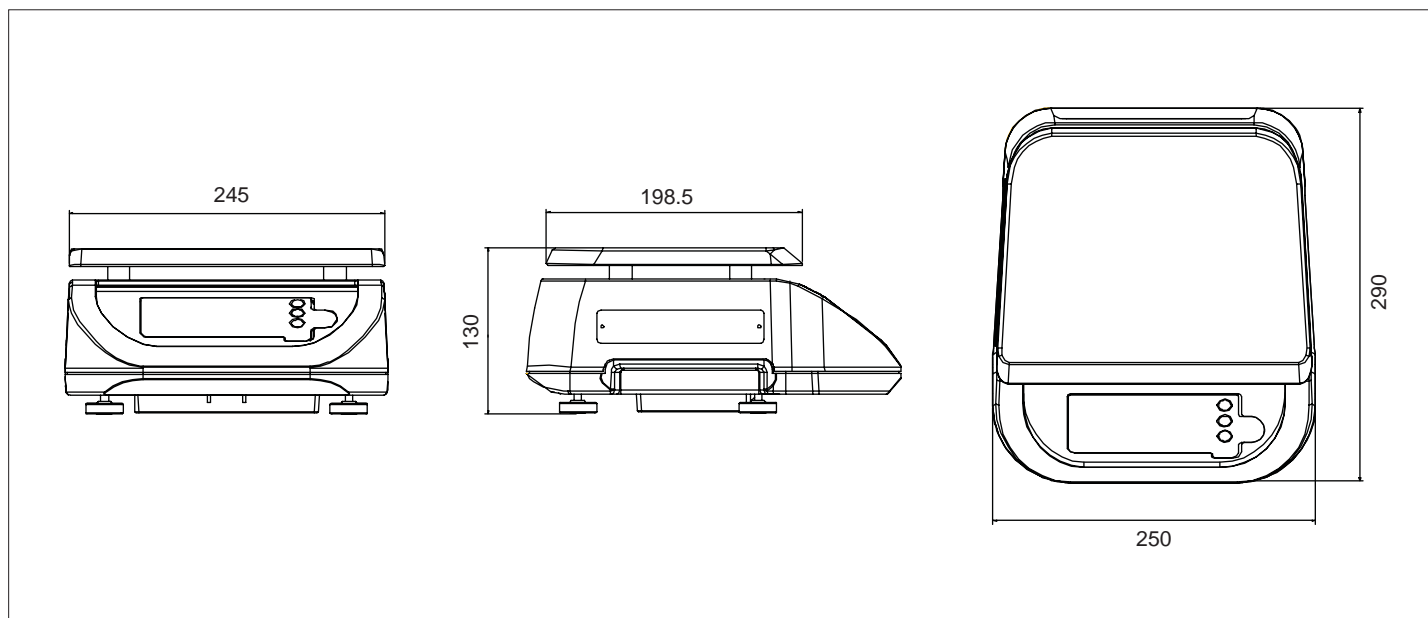
Weighing Scale

Special water-proof technology to be used and quick response to weight change for food factory



***Searching for***  
***a New Balance***

## External Dimensions (mm)



## Basic Specifications

Model	DS-673SS			
Capacity	3kg 1g	3kg/6kg 1g/2g	6kg/15kg 2g/5g	15kg/30kg 5g/10g
Display	High brightness LED display Weight Display: 6 digits. Decimal point: Selectable by SPEC			
Dimensions	Platter size : 245(W) x 198.5(D) mm Overall size: 250(W) x 290(D) x 130(H) mm			
Power Source	AC 240/230/220V, 117/100V (Factory Option) DC 6V 5Ah rechargeable battery for 60 hours (option, Fully charged) * Charging condition( AC 240/230/220V, 117/100V, 800mA ,12-14 hours)			
Operating Temperature	-10 ~ +40 (OIML)			
Operating Humidity	15% ~ 85% RH			
Power	Intelligent power control, Power Consumption : 18W ( AC ), 3W ( DC )			
Waterproof rating	IP68			

\*Rechargeable battery for 60 hours ( when dimmer level=2 )  
\*Specifications are subject to change without prior notice.

**SHANGHAI TERAOKA ELECTRONIC CO., LTD.**

TINGLIN INDUSTRY DEVELOPMENTAL ZONE,  
JINSHAN COUNTY, SHANGHAI 201505

TEL: +86-21-57234888

FAX: +86-21-57233049

<http://www.digi-scale.com>